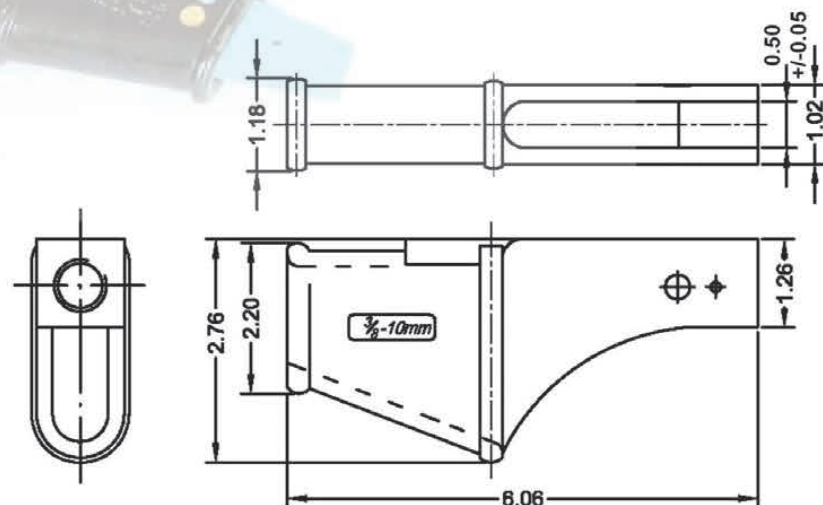


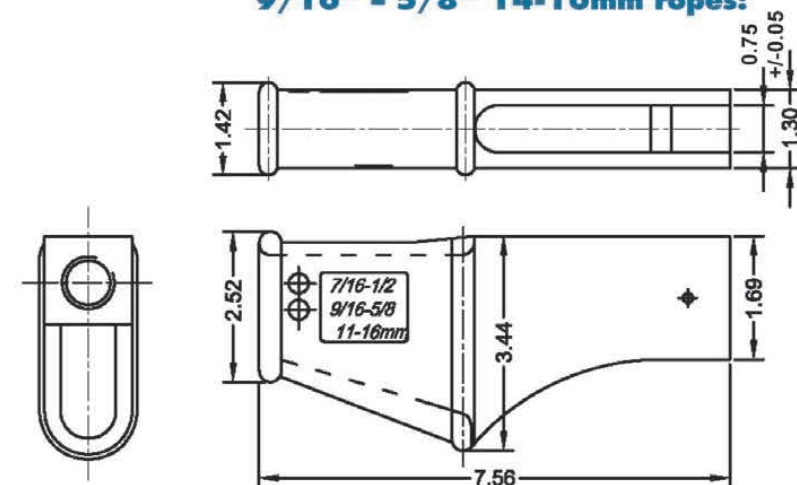
GOVERNOR ROPE WEDGE SOCKETS

Governor rope sockets come with wedge inserts and rope retaining clips.

3/8" 10mm ropes:



**7/16" - 1/2" 11-13mm ropes:
9/16" - 5/8" 14-16mm ropes:**



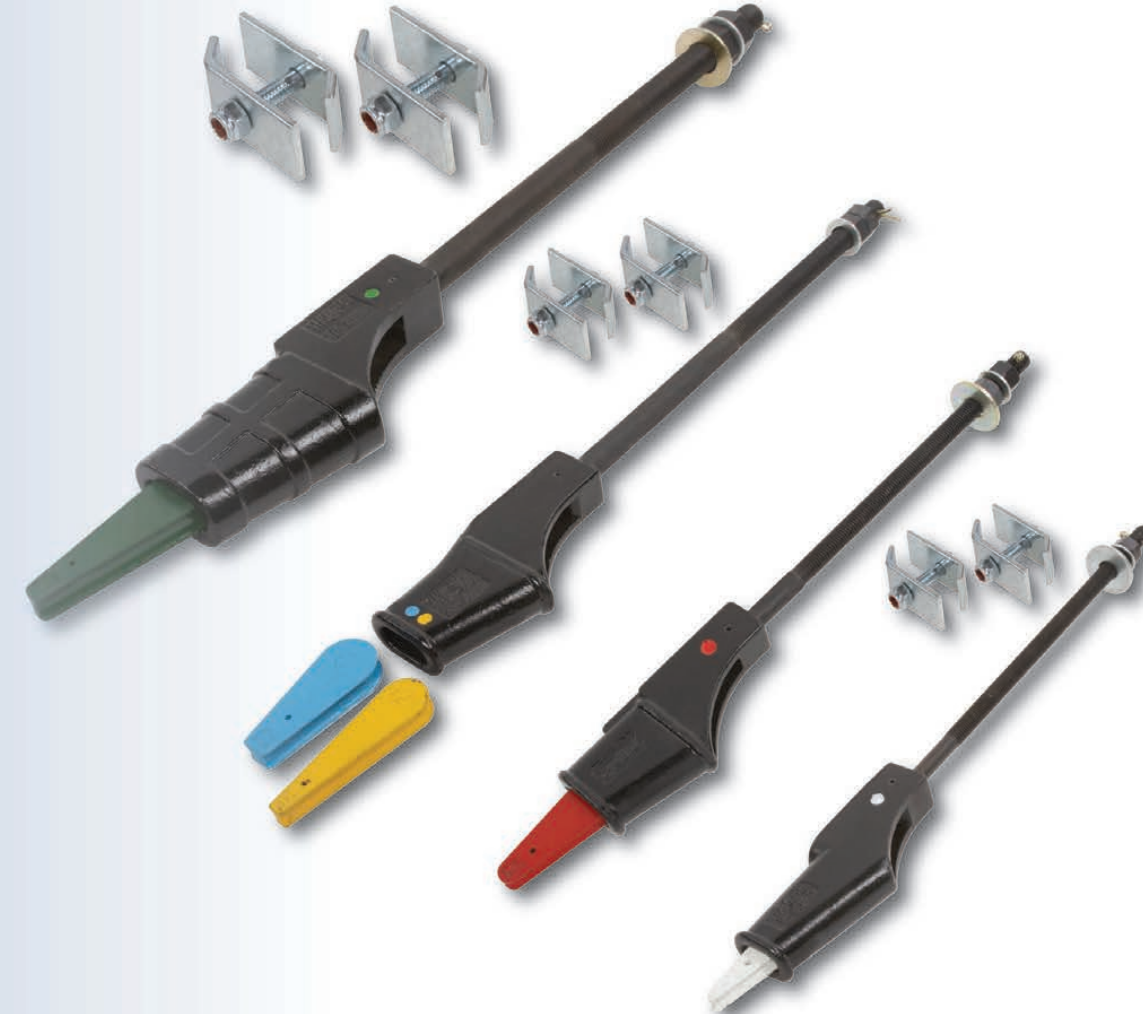
GOVERNOR WEDGE SOCKET SPECIFICATIONS

| Part # | Size |
|---------|----------------------|
| WS38GOV | 3/8" (10mm) |
| WS12GOV | 7/16"-1/2" (11-13mm) |
| WS58GOV | 9/16"-5/8" (14-16mm) |



NOTE: Actual dimensions and specifications of the products listed on these pages may change without notice to conform with the most recent regulations and standards.

ELEVATOR WIRE ROPE WEDGE SOCKET (SHACKLE)



USA STANDARD WS SERIES 10 - 3/8, 13 - 1/2, 16 - 5/8 and 19 - 3/4 WIRE ROPE WEDGE SOCKET (SHACKLE)

Approved by:

- MEA (City of New York, building department)
- State of California
- TSSA, Canada

WS Series Wedge Sockets (Shackles) are tested with TRACTION STEEL elevator rope and exceed ASME A17.1S-2005 Section 2.20.9.5 Safety Code. All standard wedge sockets are painted with a black body and color coded to match each wedge color for high safety standards.

All sockets come with wedge, two rope retaining clips, cotter pin, washer and two nuts as standard.



PARTS SPECIALISTS INC.

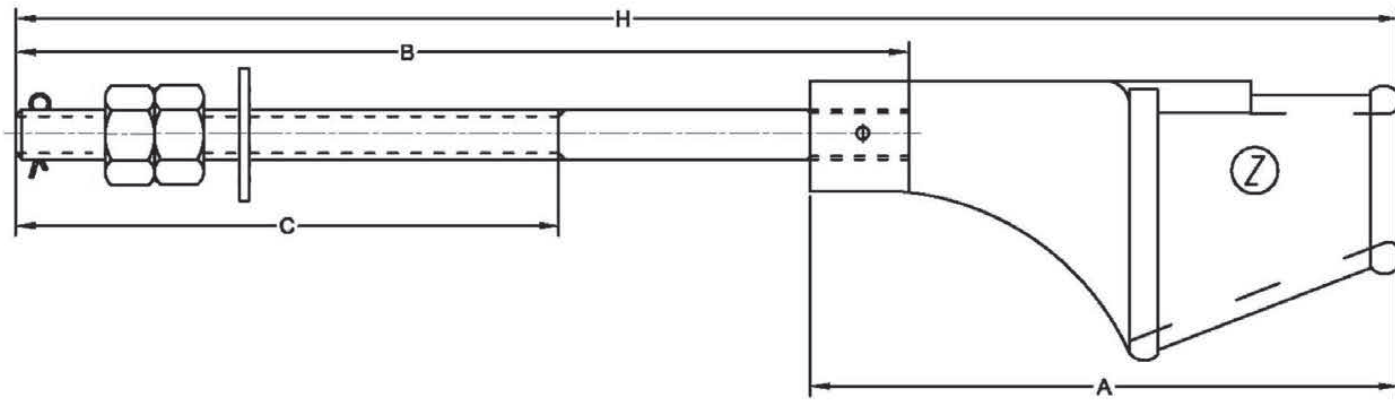
14639 SHORT ST. • POSEN, ILLINOIS 60469

phone: 708.371.2444 • fax: 708.371.2477 • www.partsspecialistsinc.com

PARTS SPECIALISTS INC.

14639 SHORT ST. • POSEN, ILLINOIS 60469

phone: 708.371.2444 • fax: 708.371.2477 • www.partsspecialistsinc.com



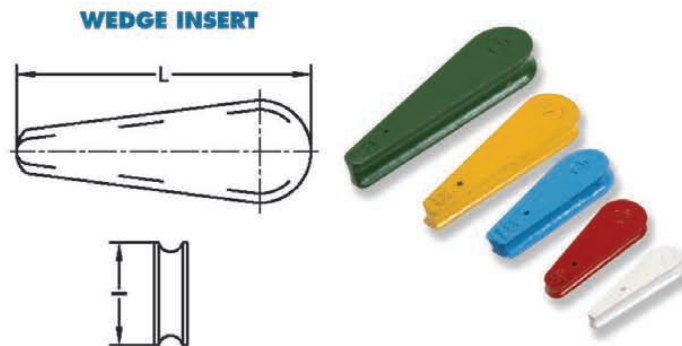
WEDGE SOCKET ASSEMBLIES SPECIFICATIONS

| Part # | Size | A | B | C | Nut Size | H |
|--------|-------------------------|------|------------------------------|-------|----------|--|
| WS14 | 1/4"-5/16" (6-8mm) | 5" | 12", 18", 24" | 9.05" | M12 | 17", 23", 29" |
| WS38 | 3/8" (10mm) | 6" | 12", 18", 24" | 9.05" | M12 | 17", 23", 29" |
| WS12 | 7/16"-1/2" (11-13mm) | 7.5" | 12", 18", 24", 30", 36", 42" | 9.05" | M20 | 18", 24", 30", 36", 42", 48" |
| WS58 | 9/16"-5/8" (14-16mm) | 7.5" | 12", 18", 24", 30", 36", 42" | 9.05" | M20 | 18", 24", 30", 36", 42", 48" |
| WS34 | 11/16"-3/4" (17.5-19mm) | 9" | 12", 18", 24", 30", 36", 42" | 9.05" | M24 | 19.5", 25.5", 31.5", 37.5", 43.5", 49.5" |

Standard rod lengths are listed above. Additional rod lengths are available.

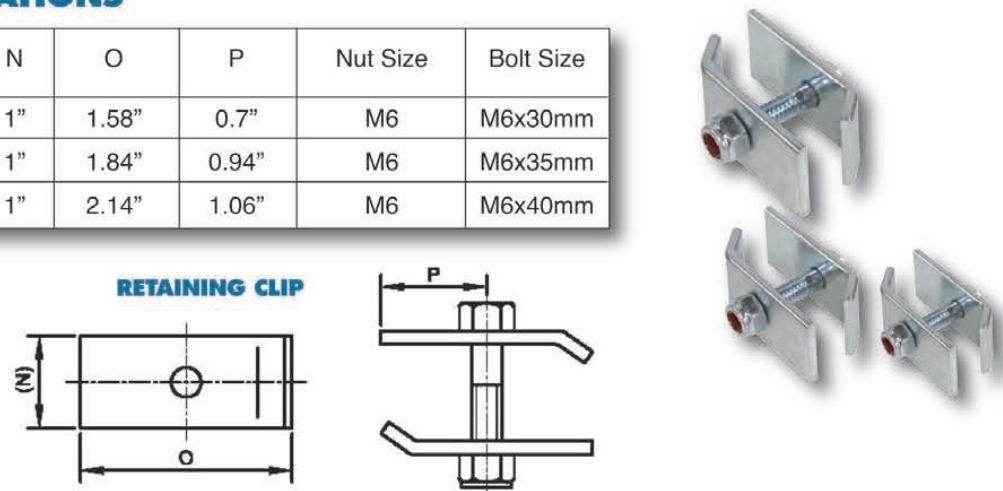
WEDGE INSERT SPECIFICATIONS

| Part # | Size | L | I | Color |
|--------|-------------------------|-------|-------|--------|
| WW14 | 1/4"-5/16" (6-8mm) | 3.25" | 0.9" | White |
| WW38 | 3/8" (10mm) | 3.75" | 1.3" | Red |
| WW12 | 7/16"-1/2" (11-13mm) | 4" | 1.6" | Blue |
| WW58 | 9/16"-5/8" (14-16mm) | 4.7" | 1.3" | Yellow |
| WW34 | 11/16"-3/4" (17.5-19mm) | 5.5" | 1.57" | Green |

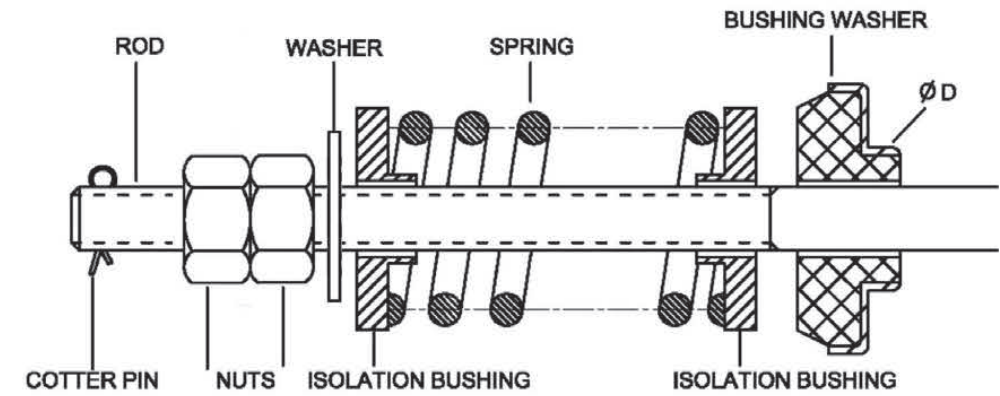


RETAINING CLIP SPECIFICATIONS

| Part # | Size | N | O | P | Nut Size | Bolt Size |
|---------|-------------------------|----|-------|-------|----------|-----------|
| WRC810 | 1/4"-3/8" (6-10mm) | 1" | 1.58" | 0.7" | M6 | M6x30mm |
| WRC1316 | 7/16"-5/8" (11-16mm) | 1" | 1.84" | 0.94" | M6 | M6x35mm |
| WRC19 | 11/16"-3/4" (17.5-19mm) | 1" | 2.14" | 1.06" | M6 | M6x40mm |



SPRING ISOLATION BUSHING ASSEMBLIES



SPRING ISOLATION BUSHING ASSEMBLIES PROVIDE:

- Equal tension on all wire ropes
- Isolation of all metal parts between sockets, spring and hitch plate for noiseless operation

Spring Assemblies include springs, bushings and washers.

Other models are available for heavy duty and high rise cars.

| Part # | Size | ØD |
|--------|-------------------------|---------|
| WSSA38 | 3/8" (10mm) | 1" |
| WSSA12 | 7/16"-1/2" (11-13mm) | 1 1/16" |
| WSSA58 | 9/16"-5/8" (14-16mm) | 1 1/16" |
| WSSA34 | 11/16"-3/4" (17.5-19mm) | 1 5/16" |



USA STANDARD WIRE ROPE WEDGE SOCKETS (SHACKLES) ARE:

- Safer than handling molten Babbitt or chemicals
- Installation methods are easier to teach
- Proven in thousands of applications
- Save over 50% on cost and labor versus Babbitt and resin socketing
- Easy, consistent installation
- Simple adjustment procedure for shortening ropes.
- Easy method of inspection to assure correct installation
- Exceeds all OEM Specifications