



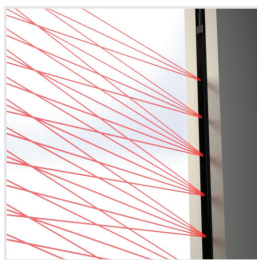
INVISIGUARD™ RAZOR

Features:

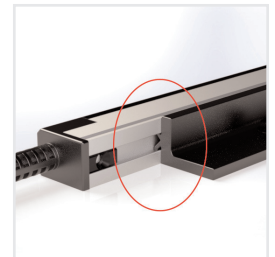
- Simple fast install. Excellent for modernizations
- Robust, attractive 12mm wide slim-line design covers a wide array of install configurations
- Long lasting Light Source (redundant LED's) with Health Monitoring System (HMS)
- 5-way cross scanning detects small obstructions
- Flexible and durable 5 meter connectorized cable
- Universal voltage power supply 20 – 265 Vac/Vdc
- Complies with EN-81-70: 5.2.4 and is IP65 weather proof rated
- Made in the USA



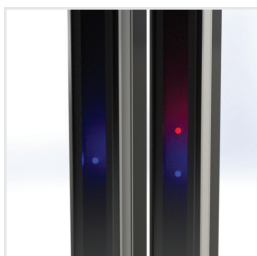
Maximum door protection installed in minutes. Razor thin, the InvisiGuard™ Razor elevator edge installs on modern as well as older cab doors and comes complete with all mounting brackets and hardware. Our unique dovetail bracket design makes it easy to configure the edge for mounting to side and center parting doors. Custom brackets can be tailored to OEM needs. The universal power supply makes connection to any door controller and cab power a snap.



Maximum protection means piece of mind. 32 individual beam pairs, 154 cross scanning beams and a unique scanning pattern provides a net of infrared light to catch obstructions. Door protection runs 25mm up to 1800mm above the door sill and is compliant with EN 81-70 standards. Optical synchronization simplifies edge to power supply connection. Light source and receiver array cables are interchangeable and 5 meters long. They are constructed of high-flex material and are fitted with water-tight industrial strength M8 connectors. Cable replacement is easy. There is no need to remove the edge or open the power supply.



Our efficient universal voltage power supply adapts to AC or DC supply voltages from 20 to 265 volts and is perfect for any modernization. The supply enclosure is tough, compact and mounts in tight spaces or top of cab. It features a watertight see through lid to inspect status indicators, switch settings and wiring. An obstruction buzzer comes standard with the supply or you can order a full featured supply with nudging circuit.



If you prefer direct powering from the door controller, the low power consumption light source and receiver arrays operate from 11 to 40 Vdc. Output is push-pull, short-circuit and surge protected. Output polarity is switchable to match door controller input needs.

Our Health Monitoring System gives a fast visual indication of proper operation after install and gives maintenance personnel an indication that the system is fully functional during inspection.

Cost effective with a three year warranty, the InvisiGuard Razor is unmatched in elevator door protection!

Specifications

Optical

Operating range:	0 to 3.5 m (0 to 11.5 ft)
Protection height:	1817mm (71.547 in)
Lowest beam:	22mm (0.867 in)
Beam spacing:	58mm (2.283 in)
Vertical displacement at 0mm:	12mm
Horizontal displacement at 0mm:	6mm
Horizontal displacement at 25mm:	15mm
Horizontal displacement at 50mm:	25mm
Horizontal displacement at 75mm:	37mm
Longitudinal angular displacement at 0mm:	25°
Transversal angular displacement at 0mm:	60°
No. of optical elements:	32
No. of beams at 32 elements:	154 criss-cross beams
Max. ambient light:	100,000 Lux

Mechanical

Dimensions (w × h × l):	12mm x 15.85mm x 1903mm
Housing material:	Aluminum
Surface protection:	Anodized, natural color
Enclosure rating:	IP65
Mounting holes required:	No less than 4
Operating temperature range:	-20°C to +60°C

Electrical

Supply voltage:	11 to 40 Vdc
Typ. current consumption at 24 Vdc:	65mA
Output:	Push-Pull, short circuit protected
Output logic polarity:	High/Low selectable
Max. output load:	100ma
Typ. response time at 32 elements:	.70 ms

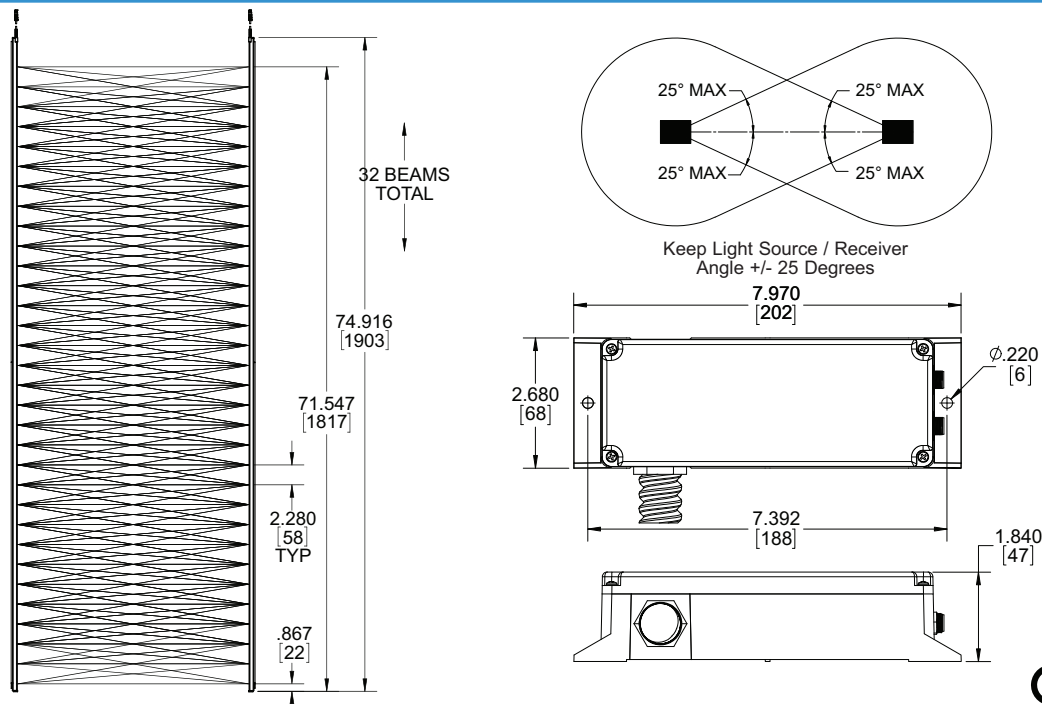
General

Synchronization:	Optical
Cable length:	5m
Material:	PUR, AWG26
Edge connection:	M8 (3-Pin)
Highest and lowest beam standard:	EN-81-70: 5.2.4
EMC emission:	EN 12015:2014
EMC immunity:	EN 12016:2013
Vibration:	IEC 60068-2-6:2007
Shock:	IEC 60068-2-27:2008
Cable durability:	IEC 60227-2:2003
Composite temperature/humidity cyclic test:	IEC 60068-2-28: 1974
IP rating:	IEC 60529: 2001
RoHS:	2011/65/EU
Certificates:	CE, CSA B44.7 ASME A17.5

Power supply

Enclosure rating:	IP65
Rated voltage:	20 to 265 Vac/Vdc, single phase, 50/60Hz
Fuse rating:	500ma
Output voltage:	24 Vdc @100ma +/- 10%
Contact Rating:	10A/250Vac / 8A@28Vdc
Certificates:	CE, CSA B44.7 ASME A17.5
EMC emission/EMC immunity:	EN 12015:2014, EN 12016:2013
Vibration and shock:	IEC 60068-2-6:2007 IEC 60068-2-27:2008 IEC 60227-2:2003
Fire protection:	UL 94 5VA
Housing material:	ABS case, PC clear cover
Operation Temp range:	-20°C to +60°C
Obstruction Buzzer:	Standard
Relay test button:	Standard
Nudge relay:	Optional

Dimensions



How to Order

Model	Description
IG-R	InvisiGuard System with PSC-UR universal power supply
IG-RN	InvisiGuard System with PSC-URN nudging universal power supply
IG-RDC	InvisiGuard System without universal power supply