



Elevator & Industrial Products

# Technical Practice

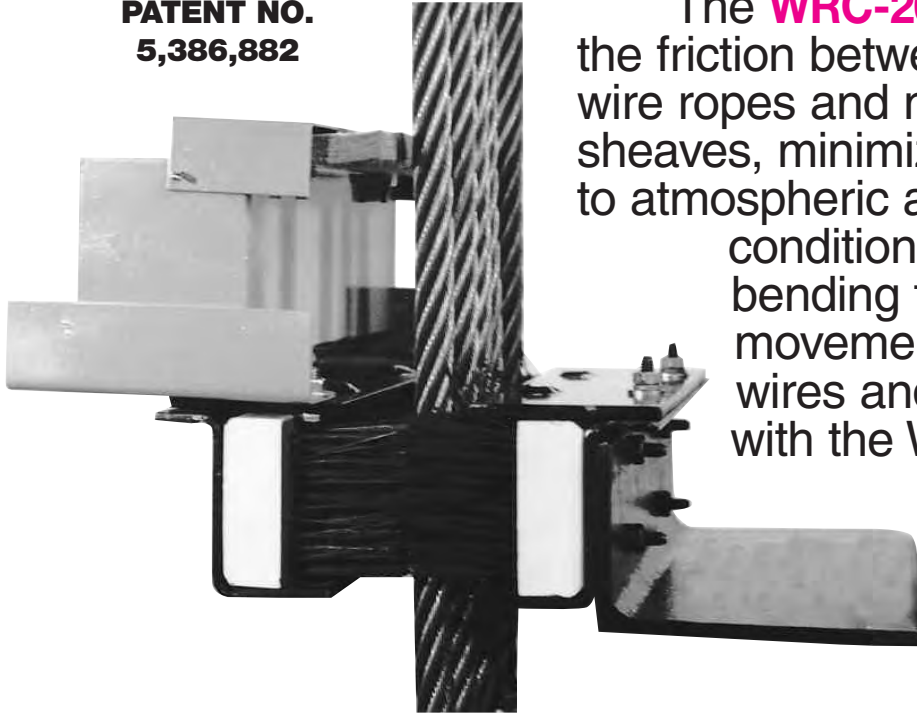
## WRC-2000-LP

Wire Rope  
Lubricator

October 1996

Parts Specialists Inc.

WRC-2000  
PATENT NO.  
5,386,882



The **WRC-2000-LP** reduces the friction between the elevator wire ropes and machine drive sheaves, minimizes corrosion due to atmospheric and/or operation conditions, and reduces bending fatigue by allowing movement between the wires and strands. Together with the WRC-2000 wire rope cleaner, this is the ultimate in elevator wire maintenance.

## Wire Rope Lubricator

### FEATURES

- Wire Rope Cleaner Adaptable
- Lubes by Capillary Attraction
- Adjustable Wick Applicator
- Top Fill Internal Level Indicator
- 1 Qt Cable Lubricant

Made in U.S.A.

### APPLICATIONS

- Elevators
- Construction Hoists
- Mine Shafts
- Cranes

### SPECIFICATIONS

**DIMENSIONS:** L6.5"xW9"xH4.5"

**WEIGHT:** 7 Pounds



# Parts Specialists Inc.

14639 SHORT ST. • POSEN, ILLINOIS 60469

PHONE 708/371-2444 • FAX 708/371-2477



Elevator & Industrial Products

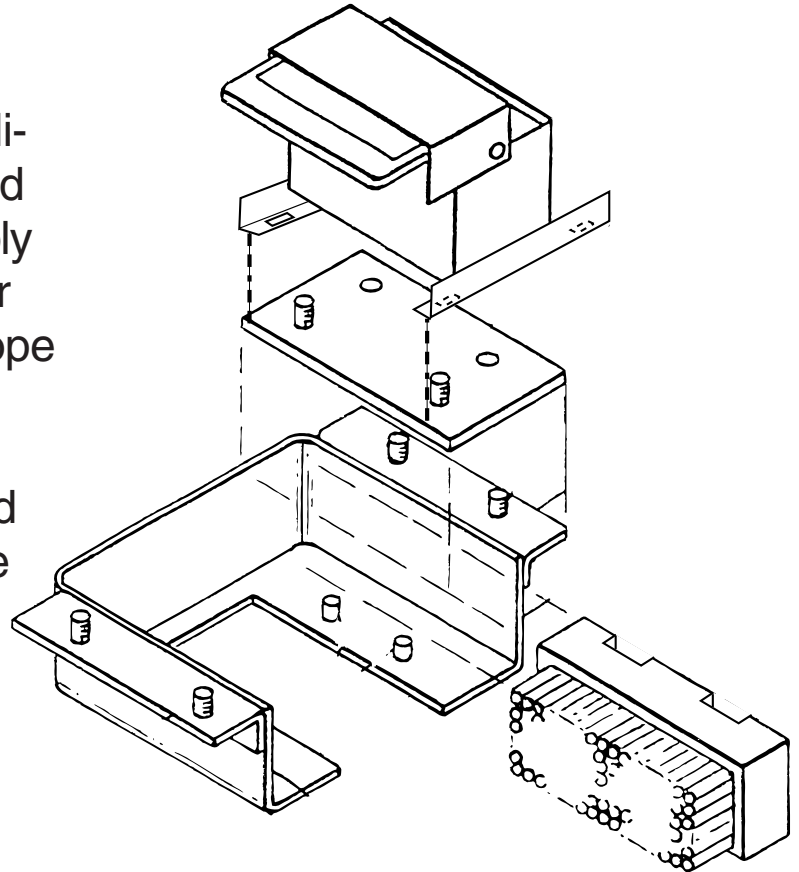
# Technical Practice

**WRC-2000-LP**

Wire Rope  
Lubricator  
October 1996

## OPERATION

The **WRC-2000-LP** Wire Rope Lubricator includes an adjustable wick applicator. This wick style application of lubricating is accomplished by capillary attraction. This assembly is designed to lubricate the elevator hoist ropes passively as the wire rope is used in the elevators everyday operation, therefore a minimal distance between the wire rope and the wick applicator is required. Wire rope lubricant is top filled into the lubricator by tilting the top cover down. When the lubricant level reaches the tilted top cover, the lubricant is filled.



## INSTALLATION

The **WRC-2000-LP** wire rope Lubricator is adaptable for installation on the WRC-2000 Wire Rope Cleaner. The cap plates that hold the brushes are removable from the "U" shape frame of the WRC-2000. These cap plates have mounting holes for fastening the lubricator to the cleaner. The lubricator is also designed to be installed on the bed plate at a nominal plane to the elevator wire rope.

**Made in U.S.A.**



# Parts Specialists Inc.

14639 SHORT ST. • POSEN, ILLINOIS 60469

PHONE 708/371-2444 • FAX 708/371-2477